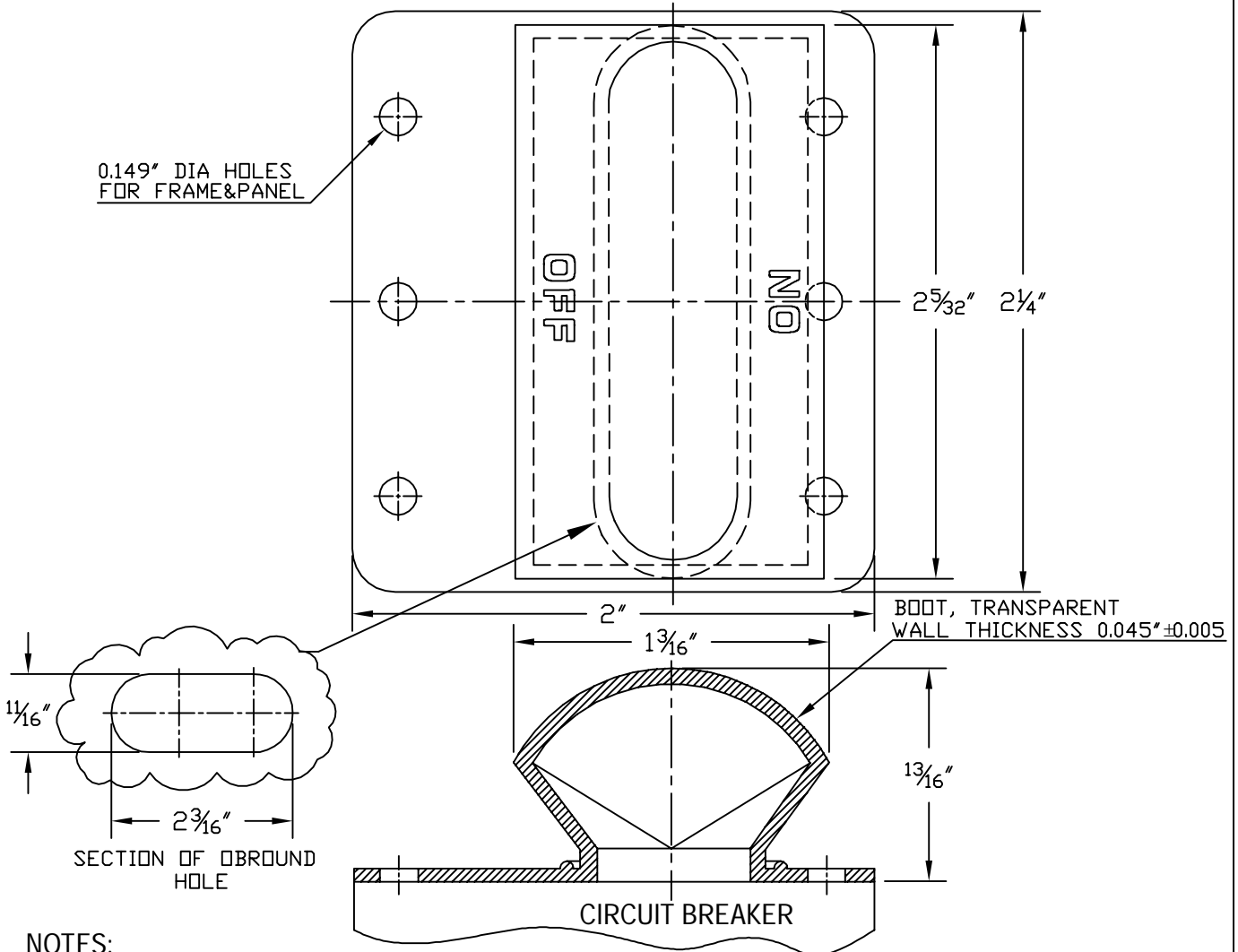


**SPECIFICATIONS**

**Material:** E-SEELS: Silicone Rubber polymer type ASTM D1418  
**Temperature Range:** E-SEELS: -80°F to +400°F  
**Pressure Range:** Dust tight and splashproof.  
**Resistant to:** Salt spray, weather, sunlight, ozone, corona and most acids.  
**Shelf Life:** Excess of 25 years.  
**Operational Life:** 10,000 actuations, minimum.

**Notes:**  
 1. Mounting screws are supplied in lengths shown unless otherwise specified.  
 2. New sizes and types of RUBRGLAS-SEELS® are being added regularly. Please request other types and styles as required.  
**Agency Recognition:** Front Panel mounted Circuit Breaker Boots are UL-listed to UL Std. 50, types 1, 2, 3, 12, 12K, and 13. Back-of-Panel mounted Circuit Breaker boots are UL-listed to UL Std. 50, type 1. Also meet CSA standards.



**NOTES:**  
 ORDER SEPARATELY 4#6-32 APM SEELSCREWS® 3/8 LONG  
 TOLERANCES: UNLESS OTHERWISE NOTED ±1/32

C	WALL THICKNESS TOL. 0.010 CHANGED TO 0.005, HOLE DIM. Ø9/64" CHANGED TO Ø0.149" and ADDED SECTION OF OBROUND HOLE	S. GOK	11.30.09
B	SPECIFICATION UPDATED TO CHANGED MAT'L FROM ZZ-R-765 TO ASTM D1418		08.20.09
A	CAD COMPUTER GENERATED		1-3-03
REV.	DESCRIPTION	DATE	
MAXIMUM AND MINIMUM MEASUREMENTS ARE STATED DIRECTLY ON EACH DIMENSION. MAT'L: Silicon Rubber Polymer type ASTM D 1418 FINISH:	TITLE: CIRCUIT BREAKER BOOT-BACK-OF-PANEL MOUNTED APM-HEXSEAL CORPORATION	ENG.	
		DWN. CARBONE	6-13-69
		CHKD. J. CELLA	08.20.09
	SCALE 3:2	DWG. NO. (C1113/43) HEXSEAL®	

THIS DRAWING COVERS PROPRIETARY ITEM AND IS THE PROPERTY OF THE APM-HEXSEAL CORPORATION.  
 THIS DRAWING IS NOT TO BE COPIED OR USED WITHOUT THE WRITTEN APPROVAL OF AN OFFICER OF THE APM-HEXSEAL CORPORATION.